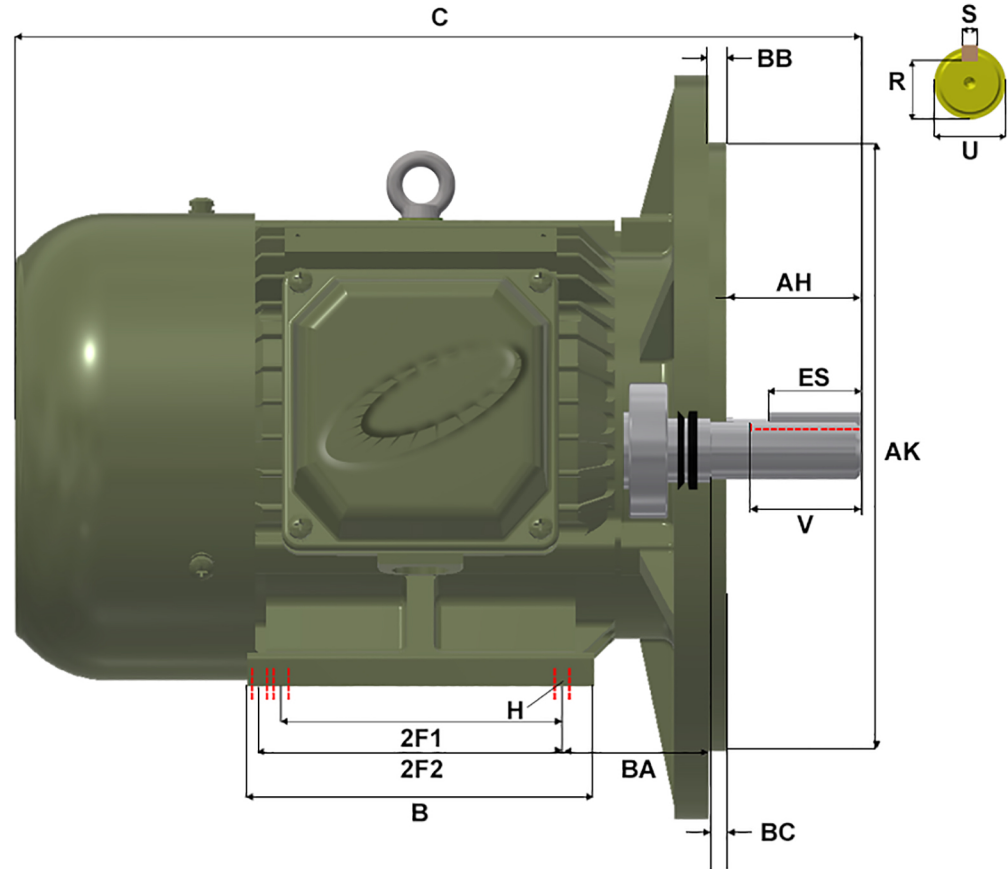
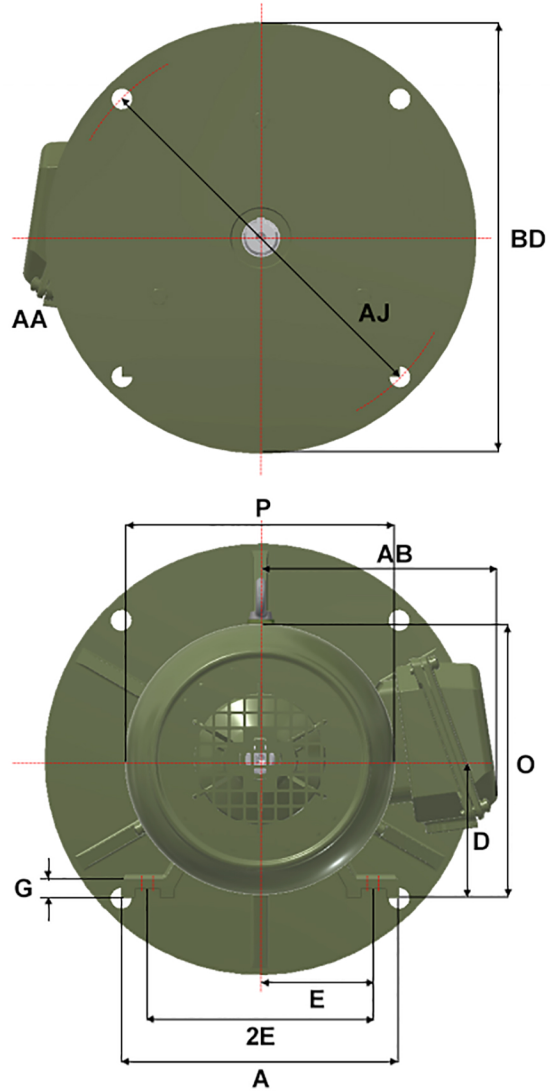


# MaxMotion



| Version: 2WTI   |       | Revised: 08-10-2019 |           | HP    | RPM   | FRAME | ENCLOSURE | MPP/MQP-33D |          |       |       |       |       |
|---|-------|---------------------|-----------|-------|-------|-------|-----------|-------------|----------|-------|-------|-------|-------|
| Customer is responsible in determining that MEP product will fit/perform suitably in the intended application |       |                     |           | 10    | 1200  | 256TD | TEFC      |             |          |       |       |       |       |
| A   | B     | C                   | D         | E     | 2E    | 2F1   | 2F2       | G           | H        | O     | P     | R     | S     |
| 13.00   | 12.20 | 25.00               | 6.25      | 5.00  | 10.00 | 8.25  | 10.00     | 0.70        | 6 * 0.53 | 13.00 | 12.40 | 1.416 | 0.375 |
| T   | U     | V                   | AA        | AB    | AH    | AJ    | AK        | BA          | BB       | BC    | BD    | ES    |       |
| 2.20  | 1.625 | 3.75                | 1-1/4 NPT | 10.10 | 4.00  | 12.50 | 11.00     | 4.75        | 0.25     | 0.00  | 14.00 | 2.91  |       |